



SINKS



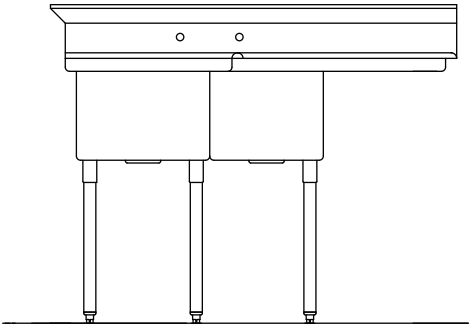
CORNER THREE COMPARTMENT TWO DRAINBOARD

Item #:

Qty #:

Model #:

Project #:



SINK FEATURES:

Fully fabricated bowl for the full metal thickness throughout the bowl and greater durability than a drawn sink

9" high backsplash, with 2" return to wall at 45 degrees with easy installation tile edging

2 1/2 high. 180 degree sanitary rolled rim at all free edges

Leg assemblies located directly under the sink bowls for greater load support

Legs are 1 5/8" diameter tubing with adjustable bullet feet

All corners are covered at 5/8" radius, welded and polished to form a one-piece sanitary unit

All sinks are furnished with basket drains and 1" faucet holes punched in backsplash on 8" centers as required

Sinks with drainboards 30" and longer have additional legs under each drainboard for added strength

SINK OPTIONS:

PARAMOUNT SERIES

- 14 Gauge type 304 stainless steel
- 12" bowl depth
- Stainless steel legs & crossrails
- NSF listed

STANDARD SERIES

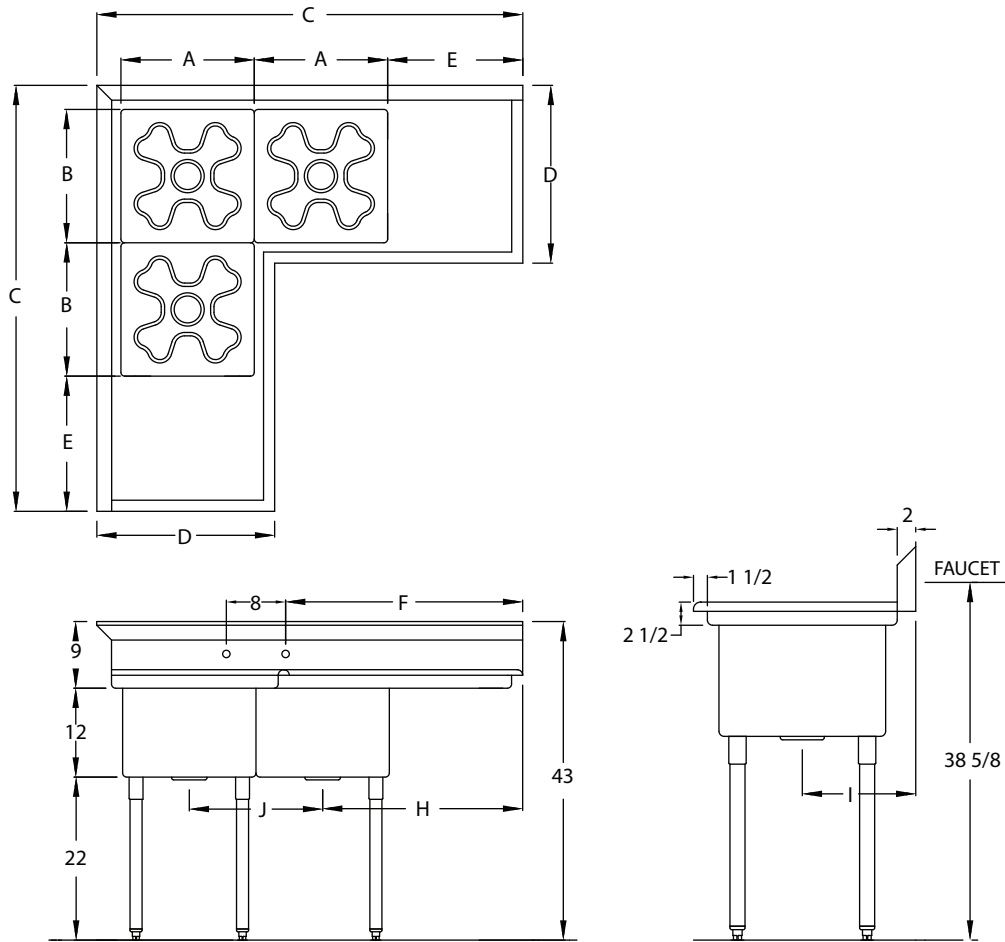
- 16 gauge type 304 stainless steel
- 12" bowl depth
- Galvanized legs (stainless steel available)
- NSF listed

ECONOMY SERIES

- 18 gauge 304 tubs
- 12" bowl depth
- Galvanized legs (stainless steel available)
- NSF listed

DIMENSIONS		PARAMOUNT		STANDARD	
BOWL SIZES	DB SIZE	MODEL	WT.	MODEL	WT.
(1) 14 X 14 X 10 (2) 10 X 14 X 10	12"	RJ-PC-3-1014-12D	110	RJ-SC-3-1014-12D	98
(3) 14 X 14 X 12	12"	RJ-PC-3-1414-12D	120	RJ-SC-3-1414-12D	110
(3) 16 X 16 X 12	16"	RJ-PC-3-1616-16D	135	RJ-SC-3-1616-16D	122
(3) 18 X 18 X 12	18"	RJ-PC-3-1818-18D	143	RJ-SC-3-1818-18D	135
	24"	RJ-PC-3-1818-24D	155	RJ-SC-3-1818-24D	141
(1) 24 X 24 X 12 (2) 18 X 24 X 12	18"	RJ-PC-3-1824-18D	170	RJ-SC-3-1824-18D	145
	24"	RJ-PC-3-1824-24D	178	RJ-SC-3-1824-24D	155
(3) 20 X 20 X 12	20"	RJ-PC-3-2020-20D	170	RJ-SC-3-2020-20D	145
(3) 24 X 24 X 12	24"	RJ-PC-3-2424-24D	190	RJ-SC-3-2424-24D	175

DIMENSIONS & SPECIFICATIONS



DIMENSIONS ARE TYPICAL (TOL. +/- 1/2")

MODEL	A	B	C	D	E	F	G	H	I	J
RJ-C-3-1014-12D	10	14	39 1/2	20	12	18	N/A	17	10 1/4	12
RJ-C-3-1824-24D	18	24	63 1/2	30	24	38	N/A	33	15 1/4	21
RJ-C-3-1414-12D	14	14	39 1/2	20	12	22	N/A	19	10 1/4	14
RJ-C-3-1616-16D	16	16	51 1/2	22	16	28	N/A	24	11 1/4	16
RJ-C-3-1818-18D	18	18	57 1/2	24	18	32	N/A	27	12 1/4	18
RJ-C-3-1818-24D	18	18	63 1/2	24	24	38	N/A	33	12 1/4	18
RJ-C-3-1824-18D	24	24	63 1/2	30	18	38	N/A	27	15 1/4	24
RJ-C-3-2020-20D	20	20	63 1/2	26	20	36	N/A	30	13 1/4	20
RJ-C-3-2424-24D	24	24	75 1/2	30	24	44	N/A	36	15 1/4	24

* All three compartment sinks with bowls 24" or larger require a second set of faucet holes.



RJ Fabricators reserves the right to progressively alter our product specifications to maintain our premium quality.